

CLIMATE COMFORT | BUSES, TRAINS, TRANSPORTERS, COMMERCIAL AND SPECIAL VEHICLES

# THERMOLINE – THE DIESEL-FUEL 24V PREHEATER



THERMOLINE



A WORLD OF COMFORT







## THERMOLINE – DIESEL-FUEL PREHEATING FOR RELIABLE DIESEL OPERATION AT LOW TEMPERATURES

At low temperatures, diesel fuel forms paraffin crystals that are suspended in the liquid. As the concentration increases, the fuel filter may become blocked and the engine could even stall (diesel waxing). The solution is ThermoLine, a diesel fuel preheater that is installed in the fuel line, where it melts the paraffin crystals before they reach the primary filter.

### A RELIABLE SYSTEM:

Additives mixed with diesel fuel to combat this problem are expensive, often ineffective, and some of them are harmful to the environment and dangerous. However, one thing is clear: once formed, paraffin crystals can only be eliminated by the addition of heat.





## THERMOLINE – SIMPLE HEAT, DIVERSE ADVANTAGES

ThermoLine stands for reliability and economy under adverse climate conditions.

### THERMOLINE – A SELF-CONTAINED PREHEATING SYSTEM ...

- Unique, automatic control without thermostat.
- Fuel is not overheated.
- Approved by the German Federal Motor Transport Authority.
- Robust design – vibration resistant.
- No moving parts.
- Simple installation.

### ... THAT INCREASES THE AVAILABILITY OF COMMERCIAL VEHICLES DURING WINTER.

- Engine can be started at temperatures as low as -40 °C.
- Expensive fuel additives are not necessary.
- No power loss or engine stalling due to filter clogging.
- No downtimes and regeneration costs.
- Easy to use by the driver with a switch on the dashboard.

### MECHANICAL CONNECTION:

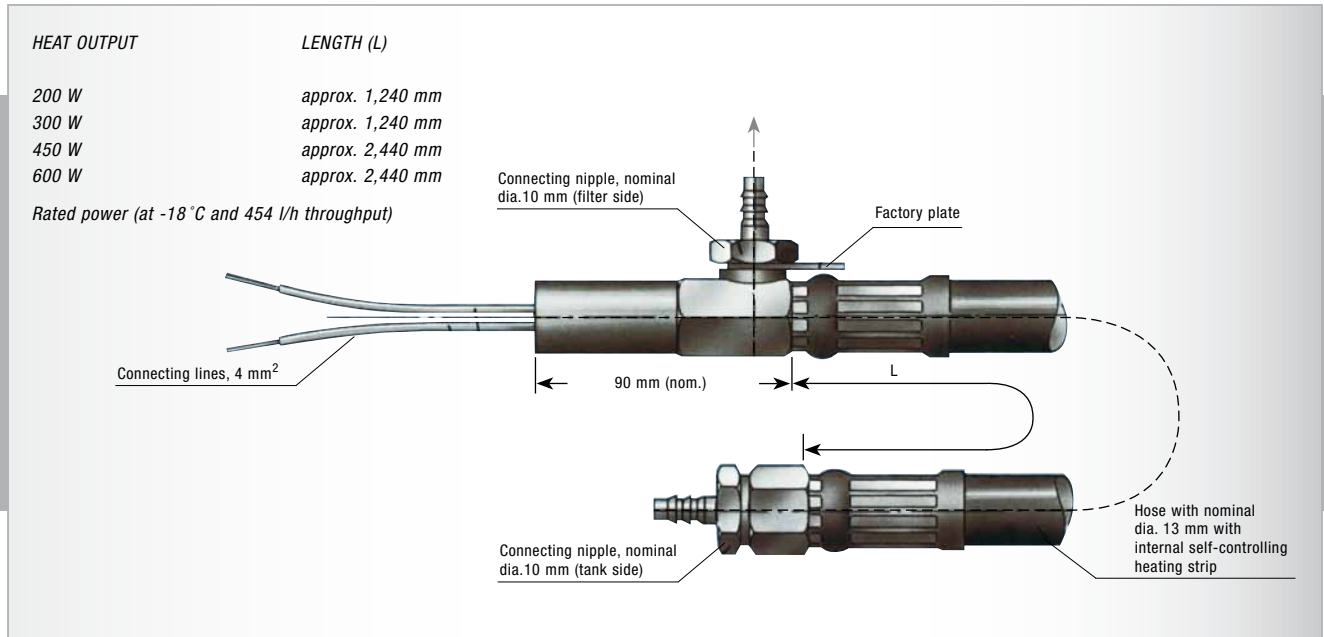
All versions are supplied with screwed-in hose nipples for the connection of fuel hoses with a nominal diameter of 10mm as standard. Other connection adapters are available on request. All parts required for mechanical connection are included in the scope of delivery.

### APPROVAL:

ThermoLine is approved by the German Federal Motor Transport Authority (national type approval number 90296). If the type TLN diesel-fuel preheater was installed according to the installation instructions, it is not necessary to have the installation inspected by an officially recognized expert or inspector for vehicle sales, or to apply for a new type approval for the vehicle at the administrative authority (registration office).

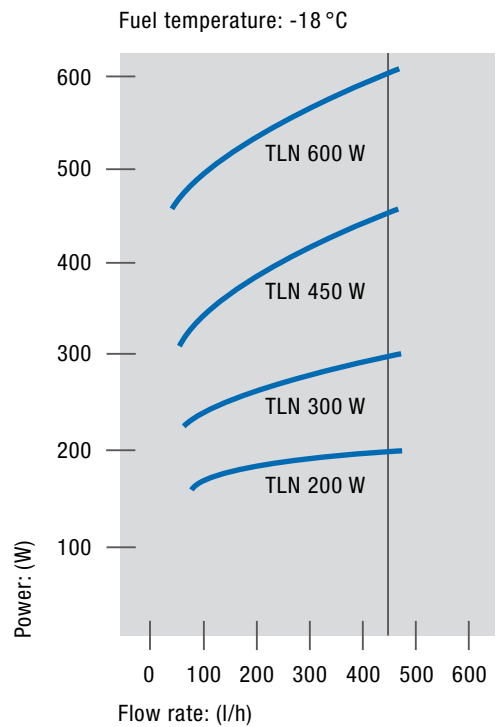
We take care with the information we provide about the design, material and dimensions, etc., but this information is non-binding and does not represent assured characteristics. We reserve the right to modify the design.





**SELF-CONTROLLING SYSTEM:**

ThermoLine consists of a reinforced rubber hose line with a self-controlling internal heating strip. The colder the outside temperature, the higher the heating power. The heating power automatically decreases again as the temperature rises. Consequently, the vehicle's electrical system is loaded only with the power requirement that is actually needed. The heating power is regulated in the heating strip. The system therefore does not contain any switching elements subject to failure, such as thermostats or bimetallic switches, etc.



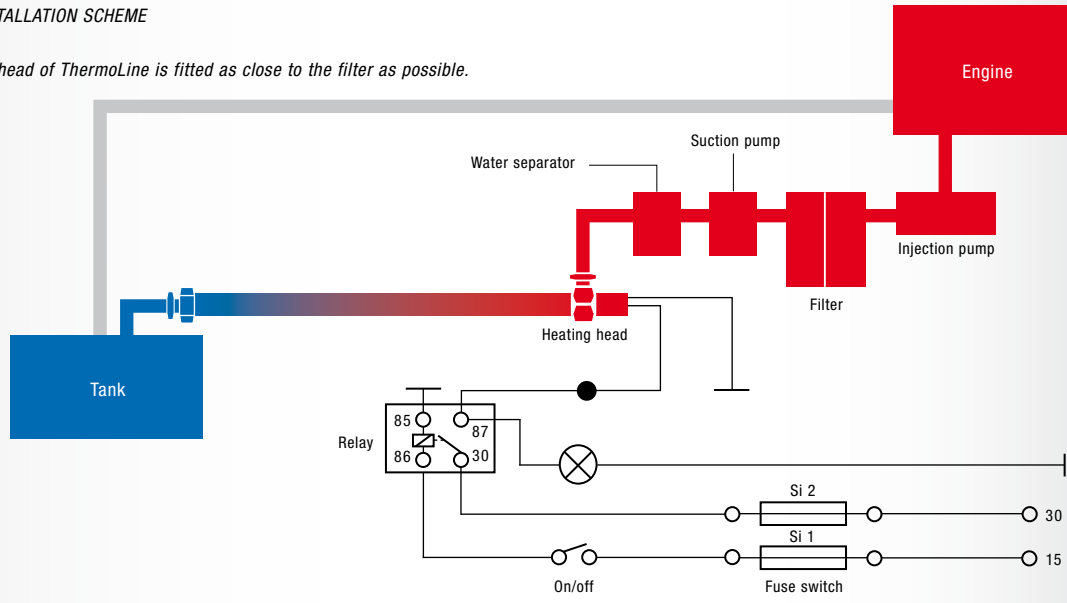
**SELECTION CRITERIA**

Fuel flow rate	Suitable ThermoLine type	Recommended min. generator output
up to 70 l/h	TLN-024-150 ...	27 A
70 to 120 l/h	TLN-024-300 ...	30 A
more than 180 l/h	TLN-024-600 ...	50 A

Rated power  
 Operating voltage

TYPICAL INSTALLATION SCHEME

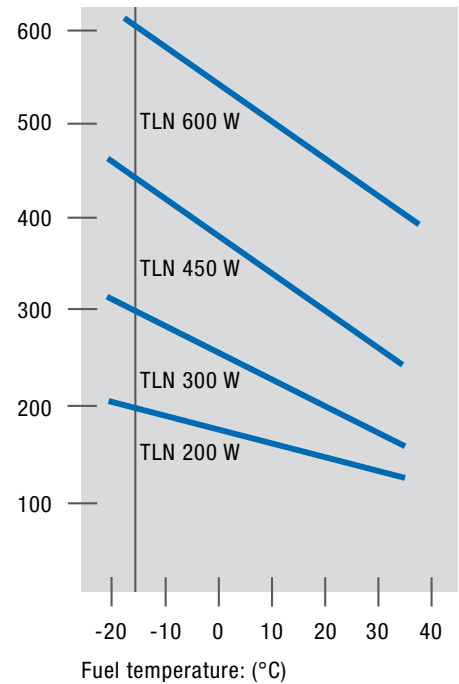
The heating head of ThermoLine is fitted as close to the filter as possible.



RELIABLE MODE OF OPERATION:

ThermoLine is installed precisely where the problem of diesel waxing occurs, and it therefore replaces the fuel line between the tank and filter. As a result, ThermoLine preheats the fuel as it passes through the entire length. Paraffin crystals melt before they reach the filter.

Flow rate: 454 l/h



ELECTRICAL CONNECTION

Order number	ThermoLine type	Relay	Si 1	Si 2
210 00 11	TLN-024-150 ...	20 A	5 A	20 A
210 00 12	TLN-024-300 ...	20 A	5 A	25 A
210 00 13	TLN-024-600 ...	45 A	5 A	30 A

**Eberspächer (UK) Ltd**

Headlands Business Park  
Salisbury Road, Ringwood  
Hampshire BH24 3PB

Tel: 01425 480151

Fax: 01425 480152

[enquiries@eberspacher.com](mailto:enquiries@eberspacher.com)

[www.eberspacher.com](http://www.eberspacher.com)

